

star digit. 



**WESTEN**  
The smart choice for your home comfort

*The ultimate in DHW comfort*



WESTEN

# WESTEN

The smart choice for your home comfort



## **The ultimate in DHW comfort!**

Westen introduces Star Digit a new wall hung boiler specially designed to let you feel the pleasure of well-being and to satisfy all your domestic comfort's needs.

star digit. 

WESTEN

*The ultimate in DHW comfort*

## Higher DHW comfort



Star Digit ensures large amounts of domestic hot water production (up to 18 l/min).

Domestic hot water whenever you need it and at constant temperature also in case of simultaneous demands: for washing-up in the kitchen, for having a shower in the bathroom!

Star Digit DHW's comfort ensured by the pre-heating function: it reduces waiting times to get hot sanitary water. The maximum you can expect from a combi boiler!

## What is more...



thanks to the brand-new enhanced heat exchanger, the Star Digit 240 Fi model can deliver 14,3 l/min.



## Easy end user interface



Star Digit adopts an electronics that is able to combine the most advanced technology with easiness of use.

Thanks to the wide LCD display showing all information on boiler's working and the operation push-buttons, Star Digit is very simple and immediate in use.

**ONE BUTTON, ONE FUNCTION!**

## Saving



higher efficiency means energy saving that is gas expenditure remarkable cutback. 3 stars according to CE/92/42 (European standard defining the boiler's efficiency) for fanned flue models.

## Compact dimensions and glamorous design



All Star Digit models have been designed to allow an easy fitting anywhere: inside a cupboard in case space saving represents an issue (only 760x340x450); if installed in view, Star Digit suits with any furnishing's choice.

# EN



# WESTEN

The smart choice for your home comfort

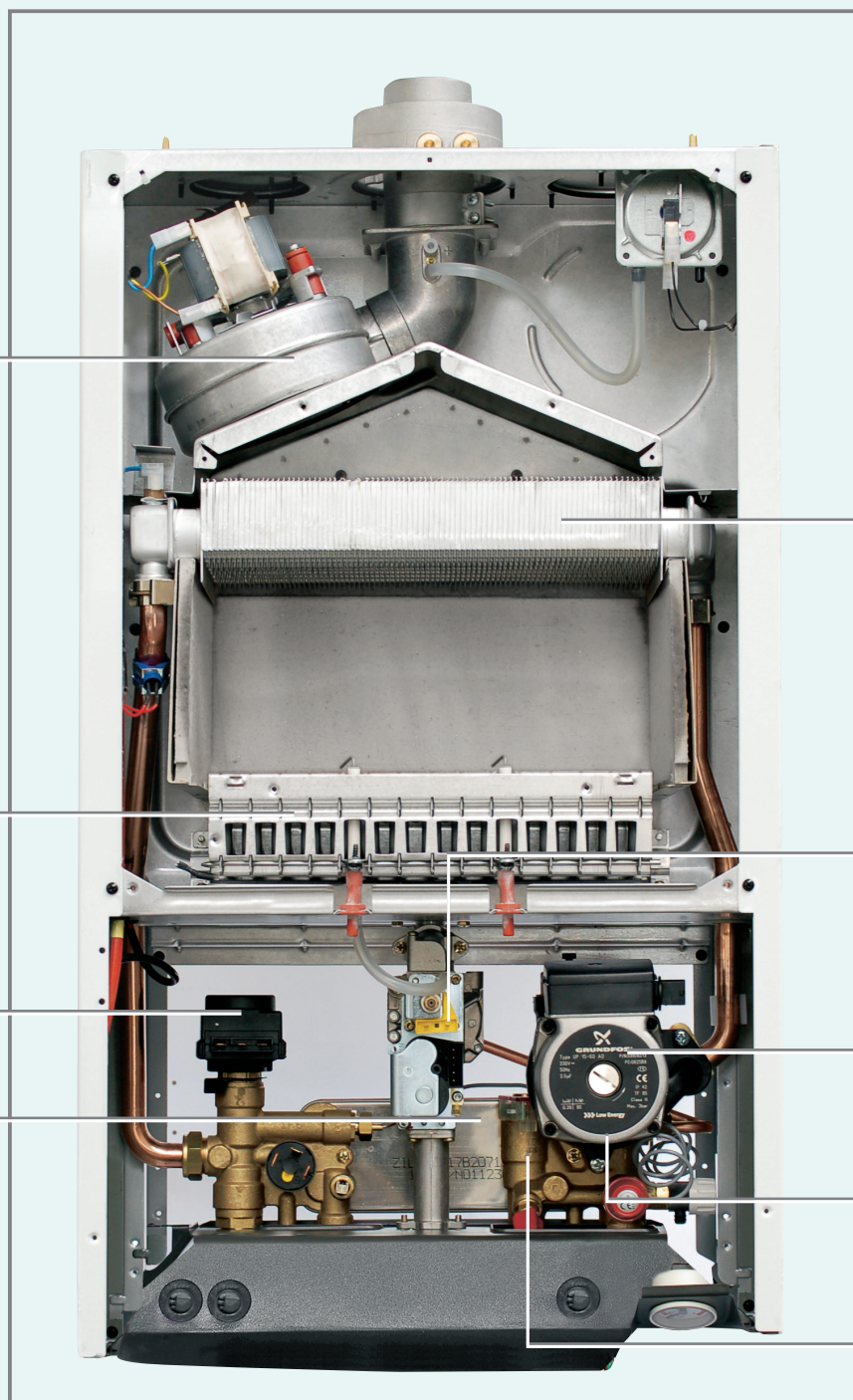
## star digit

**FAN**  
Post-ventilation  
function to optimize  
the re-lightings

**BURNER  
AND ELECTRODES**  
Steel burner,  
independent flame  
sensing and ignition  
electrodes

**ELECTRIC  
3 WAY VALVE**  
Full frost protection  
and anti-blocking  
function guaranteed

**DHW EXCHANGER**  
Stainless steel  
plate to plate version  
for the maximum  
thermal exchange



**PRIMARY HEAT EXCHANGER**

High efficiency heat exchanger made of copper pipes covered by anti-corrosion painting;

3 stars energetic efficiency (92/42/CEE) for fanned flue models

**MODULATING GAS VALVE**

Gas control with double safety solenoid and independent built-in modulating device

**PUMP WITH AIR-VENT**

3-speed low energy type for power consumption and noise reduction

**BUILT-IN BY-PASS**

To ensure the boiler's correct working in any installation

**DHW FLOWMETER**

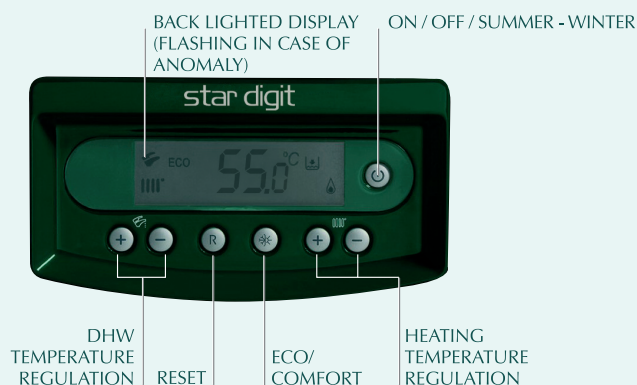
Flowmeter with turbine to detect and gauge the water flow

*The ultimate in DHW comfort*



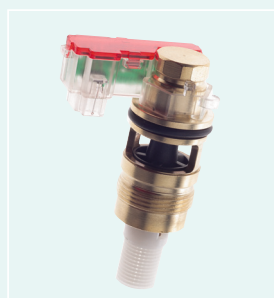
# TECHNICAL SPECIFICATIONS

## EASY SYMBOLS, FOR EASY WORKING!



- > Simultaneous code / symbol display for an **easy reading**
- > ECO/COMFORT: **pre-heating function** selection
- > Display and setting of all **parameters**
- > **External temperature** display (with outdoor probe connected)
- > Memory of the most recent faults to facilitate the **servicing**
- > Instantaneous version: **programmable** to be integrated with a solar system
- > **Multi-function** interface card for additional controls (additional pump, remote warning, switching on/off by phone)
- > Installation in **low and high temperature systems** possible
- > **Built-in climatic regulation** (external sensor as optional)
- > **IPX5D**: electric parts are protected to ensure the maximum safety in operation in any installation

Thanks to the **flowmeter** the sanitary water flow is detected: the boiler's heat output is then regulated according to the DHW amount required. A great advantage in case of sanitary hot water demand change: instantaneous boiler's adjustment.



**If larger amounts of domestic hot water are required, Star Digit offers the proper solution: the heating only models have been designed to control directly an indirect cylinder.**



DHW PROBE



3 WAY VALVE MOTOR



*DHW probe and 3 way valve motor (supplied as optional) for an easy boiler – indirect cylinder connection.*

**EASY  
END USER  
INTERFACE**

**HIGHER  
DHW  
COMFORT**

# WESTEN

The smart choice for your home comfort

## star digit

DESCRIPTION		DHW PRODUCTION			HEATING ONLY	
		FANNED FLUE		OPEN FLUE	FANNED FLUE	
		STAR DIGIT 310Fi	STAR DIGIT 240Fi	STAR DIGIT 240i	STAR DIGIT 1.310Fi	STAR DIGIT 1.240Fi
Maximum heat input (nominal)	kW	33,3	26,9	26,3	33,3	26,9
Minimum heat input	kW	11,9	10,6	10,6	11,9	10,6
Maximum heat output (nominal)	kW	31	25	24	31	25
Minimum heat output	kW	10,4	9,3	9,3	10,4	9,3
Maximum efficiency (nominal)	%	93,1	92,9	91,2	93,1	92,9
Efficiency at 30% capacity	%	90,8	90,2	90,29	90,8	90,2
Energetic efficiency (92/42/CEE)		★★★	★★★	★★	★★★	★★★
Sealed combustion chamber		•	•	-	•	•
Minimum working temperature with anti-frost device	°C	- 5	- 5	- 5	- 5	- 5
Expansion vessel	l/bar	10/0,5	8/0,5	8/0,5	10/0,5	8/0,5
Heating system max pressure	bar	3	3	3	3	3
Regulation of water temperature in heating circuit	°C	30/85 30/45	30/85 30/45	30/85 30/45	30/85 30/45	30/85 30/45
Regulation of water temperature in DHW circuit	°C	35/60	35/60	35/60	-	-
Domestic hot water production ΔT 25°C	l/min	18	14,3	13,7	-	-
Domestic hot water production ΔT 35°C	l/min	12,7	10,2	9,8	-	-
Minimum capacity DHW flow rate	l/min	2	2	2	-	-
Minimum pressure on DHW system	bar	0,15	0,15	0,15	-	-
Maximum pressure on DHW system	bar	8	8	8	-	-
Dimensions	Height	mm	760	760	760	760
	Width	mm	450	450	450	450
	Depth	mm	345	345	345	345
Flue tube	Ø mm	-	-	120	-	-
Coaxial/dual flue tube	Ø mm	60-100/80	60-100/80	-	60-100/80	60-100/80
Net weight	kg	40	38	33	38	36
Gas type		Methane/LPG	Methane/LPG	Methane/LPG	Methane/LPG	Methane/LPG
Power consumption	W	165	135	80	165	135

# WESTEN

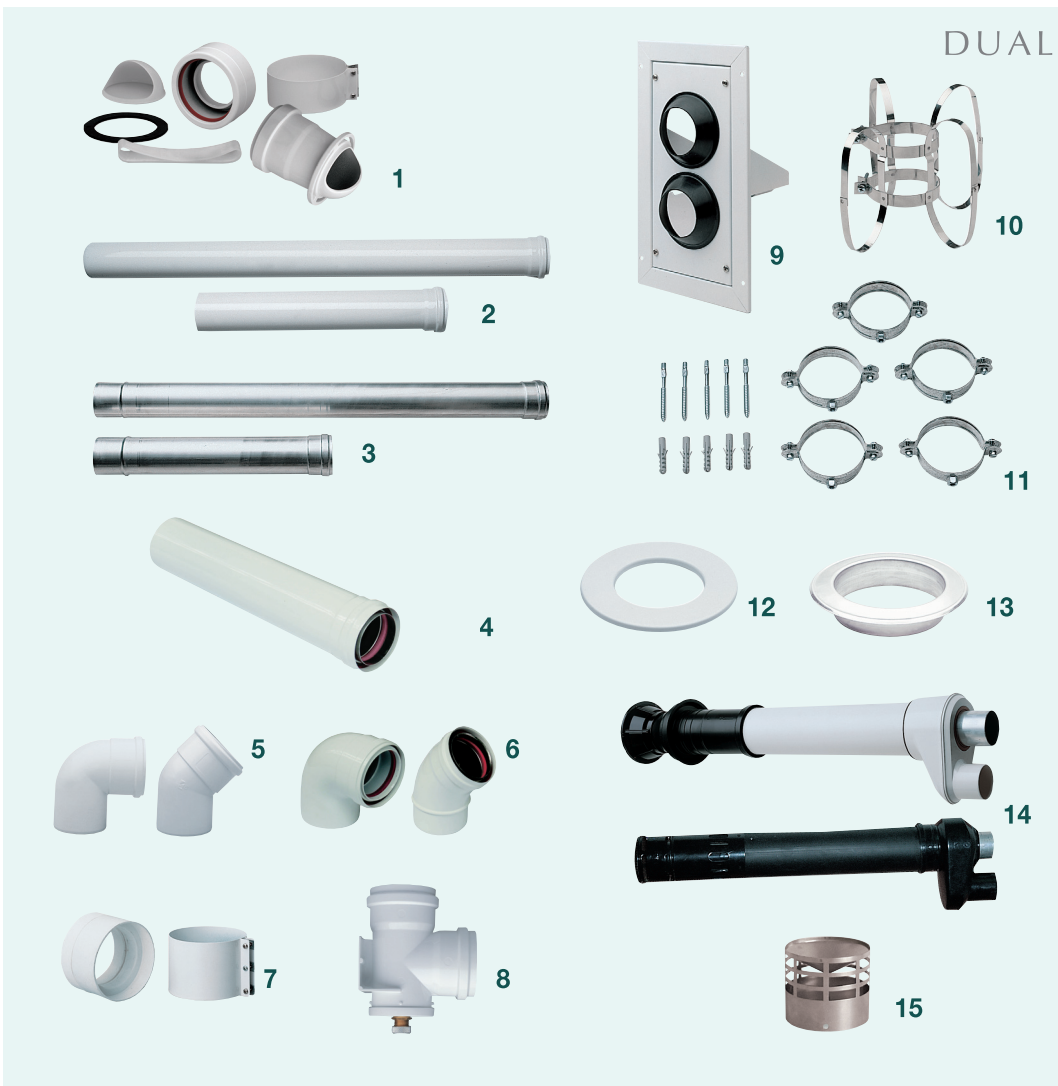
# FLUE ACCESSORIES



## COAXIAL FLUE SYSTEM

- 1 **COAXIAL FLUE TUBES WITH TERMINAL**  
Length: 750 mm  
Supplied with:  
• with proof terminal  
• stainless steel sealing collar.  
KHG714101810
- 2 **COAXIAL FLUE TUBES EXTENSION**  
L = 1000 KHG714101410  
L = 500 KHG714103910
- 3 **COAXIAL FLUE TUBE WITH CHECKING PROFILE**  
Supplied with clamp and gasket  
KHG714104010
- 4 **STARTING COAXIAL 90° BEND**  
Supplied with clamp and gasket  
KHG714101410
- 5 **ADDITIONAL COAXIAL 90° BEND**  
KHG714101510
- 6 **COAXIAL 90° BEND WITH CHECKING PROFILE**  
Supplied with clamp and gasket  
KHG714104110
- 7 **COAXIAL 45° BEND**  
KHG714101610
- 8 **VERTICAL CHIMNEY TERMINAL FOR COAXIAL FLUE SYSTEM**  
For coaxial ducts exit on the roof  
KHG714036410
- 9 **45° BEND/VERTICAL FLUE ADAPTER**  
With clamp and gasket  
KHG714101910
- 10 **COAXIAL CONDENSATE COLLECTOR KIT**  
Supplied with clamp and gasket  
KHG714087710
- 11 **FLAT/PITCHED ROOF TILE**  
To be used with a vertical chimney terminal. The pitched one is adjustable from 15° to 45°.  
KHG714036710 - FLAT  
KHG714036610 - PITCHED
- 12 **INTERNAL SEALING COLLAR Ø100**  
KHG714017710

Coaxial flue system max length mt 5.



## DUAL FLUE SYSTEM

- 1 **DUAL FLUE AFR SYSTEM KIT**  
It includes:  
• flue reduction, supplied with clamp and gasket.  
• intake connection with air regulation.  
KHG714061510
- 2 **PAINTED TUBE Ø 80**  
L = 1000 KHG714018310  
L = 500 KHG714018210
- 3 **ALUMINIUM TUBE Ø 80**  
L = 2000 KHG714038710  
L = 1000 KHG714038610  
L = 500 KHG714038510
- 4 **PAINTED INSULATED TUBE**  
Internal Ø 80  
external Ø 100  
L = 1000 KHG714105410  
L = 500 KHG714105310
- 5 **90°/45° BEND Ø 80**  
90° KHG714018010  
45° KHG714018110
- 6 **90°/45° INSULATED BEND Ø 80**  
90° KHG714105110  
45° KHG714105210
- 7 **INSULATED TUBE ADAPTER**  
Supplied with clamp and gasket.  
It must be used together with dual flue kit to connect tubes to insulated bends.  
KHG714030510
- 8 **CONDENSATE COLLECTOR KIT**  
It allows to collect the condensate produced in the flue tube, preventing its going into the boiler. It must be connected to an outlet by sealed syphonic elbow.  
KHG714054710
- 9 **AIR INLET/FLUE OUTLET SOCKET KIT**  
KHG714050411  
KHG714050311
- 10 **TUBE Ø 80 CENTRING KIT**  
Pack of 5.  
KHG714037411
- 11 **TUBE Ø 80 SUPPORTING BRACKET**  
Pack of 5.  
KHG714037310
- 12 **INTERNAL SEALING COLLAR**  
Ø 80 KHG714018510  
Ø 100 KHG714017710 for insulated tubes
- 13 **EXTERNAL SEALING COLLAR Ø 80**  
For insulated tubes.  
KHG714018411
- 14 **DUAL FLUE VERTICAL/HORIZONTAL CHIMNEY TERMINAL**  
For dual system single outlet on the wall.  
KHG714036510  
KHG714010610
- 15 **DUAL FLUE TERMINAL Ø 80**  
KHG714010410

Dual flue system max length mt 40.

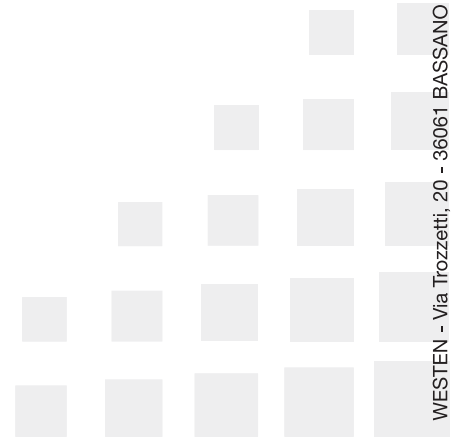


# WESTEN

[www.westen.it](http://www.westen.it)

arstudio bassano s.p.a. - printed by **battagin** s.zenone tv 01-07

**WESTEN**  
westen@westen.it



WESTEN - Via Trozzetti, 20 - 36061 BASSANO DEL GRAPPA - ITALY - T +39 0424 517111 - F +39 0424 38089

The Company assumes no responsibility for any possible contents mistakes, and reserves the right to make changes in products, due to technical or commercial demands, at any time without notice.